

Clantrac[®]

air



AIR TEXTURE GUN

Model No CTG8

Part No 5091120

OPERATING & MAINTENANCE INSTRUCTIONS

INTRODUCTION

Thank you for purchasing this CLARKE product.

Before attempting to operate the Air Texture Gun, it is essential that you read this manual thoroughly and carefully follow all instructions given. In doing so you will ensure the safety of yourself and that of others around you, and you can also look forward to the product giving you long and satisfactory service.

GUARANTEE

This CLARKE product is guaranteed against faulty manufacture for a period of 12 months from the date of purchase. Please keep your receipt as proof of purchase. Upon receipt, any damage or deficiency should be reported to your CLARKE dealer immediately.

This guarantee is invalid if the product is found to have been abused or tampered with in any way, or not used for its intended purpose. Faulty goods should be returned to their place of purchase, no product can be returned to us without prior permission.

This guarantee does not effect your statutory rights.

ENVIRONMENTAL PROTECTION



Do not dispose of this product with general household waste. All tools, accessories and packaging should be sorted, taken to a recycling centre and disposed of appropriately.

TECHNICAL SPECIFICATION

Feature	Specification
Weight	1.5 kg
Hopper Capacity	7.95 litre (1.75 gal)
Nozzle Sizes	1.5 mm, 2.7 mm, 3.5 mm & 3.6 mm
Air Consumption	6-25 cfm

Please note that the details and specifications contained herein, are correct at the time of going to print. However, CLARKE International reserve the right to change specifications at any time without prior notice.

GENERAL SAFETY PRECAUTIONS



**FOR YOUR PERSONAL SAFETY AND THAT OF OTHERS AROUND YOU.
FOLLOW THESE SAFETY INSTRUCTIONS CAREFULLY.**

NOTE : Products used in this spray gun may be covered by COSHH Regulations.

1. **ALWAYS** check the manufacturers data sheets on the products being sprayed for any particular hazards, and follow the manufacturers instructions. Take particular care if spraying isocyanate paints.
2. **ALWAYS** wear a suitable approved breathing mask when spraying, to protect against inhalation of paint spray or fumes. An air feed mask may be required when spraying some types of paint. If in doubt, check with the paint manufacturer.
3. **ALWAYS** make sure there is adequate ventilation. Do not spray in confined or enclosed areas.
4. **ALWAYS** disconnect the spray gun from the air supply when it is not in use, and before any disassembly.
5. **ALWAYS** keep the spray nozzle in place when spraying.
6. **ALWAYS** thoroughly clean the spray gun after use. See 'Maintenance' on page 8.
7. **NEVER** spray paint towards people or animals. In the case of injury, seek expert medical advice immediately.
8. **NEVER** smoke while spraying or preparing solvent based paints, or spray near a naked flame, heat source or electrical sparks. Solvent-based paints are flammable.
9. **ALWAYS** store this product in a dry, secure place out of reach of children.
10. **NEVER** carry out any alterations or modifications to this product.
11. **NEVER** use this product if it is defective/operating abnormally.
12. **NEVER** attempt any repairs yourself. If you have a problem with this product contact your local CLARKE dealer.

Your CLARKE product has been designed to give long and trouble free service. If, however, having followed the instructions in this booklet carefully, you encounter problems, take the unit to your local CLARKE dealer.

Please keep these instructions in a safe place for future reference.

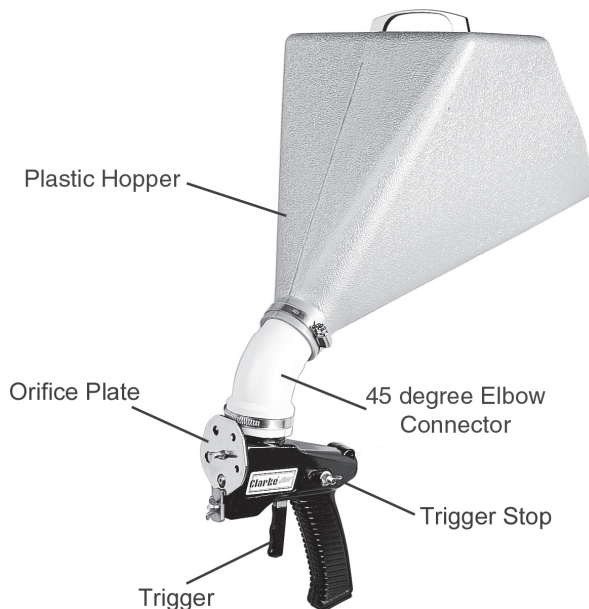
INTRODUCTION

The CTG8 Air Texture Gun is a high capacity unit designed for large surface coverage, handling most textured wall and ceiling finishes.

It can spray most liquid dry wall materials from joint cement, ceiling acoustics, wall texture, splatter, semi-fog or any such material that will feed through the hopper. Use of the 4 nozzles and 5-spray pattern orifice plate gives a total of 20 different spraying combinations.

The following items are supplied:

- 1 x Air Texture Gun
- 1 x Plastic Hopper
- 1 x 45-degree Elbow Connector
- 4 x Spraying Nozzles:- 1.5mm, 2.7mm, 3.5mm & 3.6mm
- 1 x Spare Orifice Plate Rubber Backing
- 2 x Hexagon Wrenches (2.5mm & 4mm)
- 1 x 3/8" Box Spanner
- 2 x Jubilee Clips



PREPARATION FOR USE



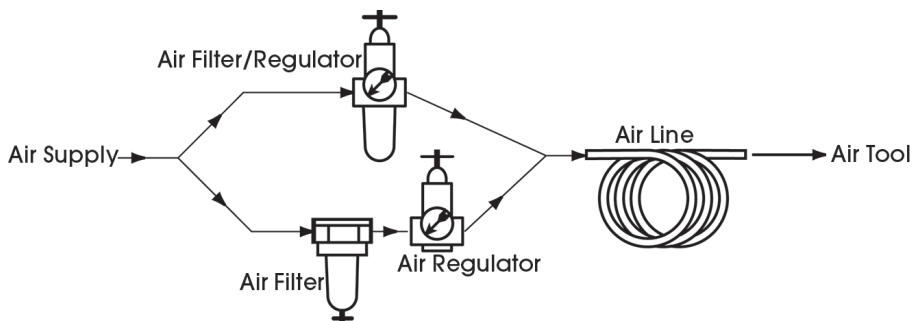
WARNING: COMPRESSED AIR CAN BE DANGEROUS. ENSURE THAT YOU ARE THOROUGHLY FAMILIAR WITH ALL PRECAUTIONS RELATING TO THE USE OF COMPRESSORS AND COMPRESSED AIR SUPPLY.

Your air texture gun comes complete with 4 different size nozzles. The larger the nozzle, the more compressed air is required and a minimum of 6.5 cfm will be required from the compressor if the largest nozzle is being used.

Ensure your compressor is able to supply sufficient air pressure for the gun. The air supply to the spray gun must be clean and dry, without any oil or water contamination. Follow the air compressor operating guidelines to ensure that your air supply is as clean as possible. The compressed air supply line to the spray gun must be fitted with an oil and water filter and a suitable air pressure regulator.

A full range of air compressors, airline hoses, filters, regulators and gauges are available from your Clarke dealer.

Typical Airline Connection



Connect the air supply to the spray gun using a suitable 1/4" BSP fitting. If an unusually long airline is required, the line pressure may need to be increased.

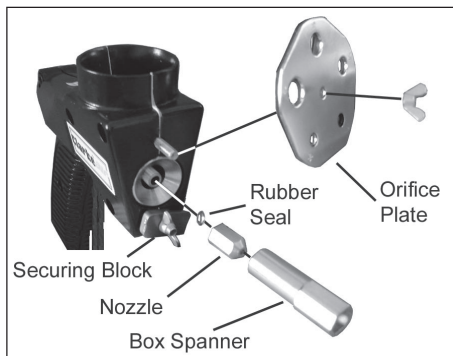
OPERATION

Assemble the texture spray gun as follows. The numbers in brackets refer to the Parts List & Parts Diagram on pages 10/11.

1. With the jubilee clip (5) around the hopper base loosened off, fit the hopper (1) to the gun body, pushing the hopper onto body neck, (the handle on hopper should be in line with the gun body). Tighten the clamp sufficiently to prevent the hopper from moving.
2. When spraying upwards towards a ceiling, the 45deg elbow (6) should be adjusted to keep the hopper in an upright position, securing it with both the jubilee clips.

INSTALLING THE NOZZLE

1. To select a nozzle, prize off the retaining cap (27) and choose your nozzle from the selection stored inside the body of the gun.
2. Depending on the viscosity of the material to be sprayed, fit the appropriate nozzle, (e.g, 1.5mm and 2.7mm nozzles for medium viscosity materials and 3.5 mm nozzle for high viscosity materials), as follows.
3. Loosen the securing block (34), and remove the orifice plate (31). Unscrew the nozzle (18) currently fitted and screw the chosen nozzle onto the end of the inlet tube (30), taking care not to lose the white rubber seal ring (42) from inside the nozzle. Tighten the nozzle with the box spanner (28) stored inside the handle. Replace the orifice plate and securing block.



NOTE: The largest (3.6 mm) nozzle cannot be tightened with the box spanner. Instead, the 4mm Allen key must be used.

CONNECTING AND FILLING

1. Connect the air hose using an appropriate connector as necessary. An air regulator can be fitted to the gun first, which can be used to control the droplet size produced by the spray gun, turning clockwise to restrict the air flow. (The greater the flow, the smaller the droplet).
2. Turn the air supply on and check the functionality of the gun by squeezing the trigger before filling with paint etc.
3. Turn air off and fill hopper with material to be sprayed, (1.75 gallons max) Always mix the paint to the correct viscosity for spraying according to the

manufacturer's instructions. (DO NOT OVERFILL - the more paint the heavier the spray gun).

4. Hold the gun approximately 12" from wall to be covered, supporting the gun using the handle on the hopper.
5. Gently squeeze the trigger until resistance is felt whilst moving the gun from side to side. Check the coverage and change the orifice/nozzle size if necessary, or adjust the air flow regulator adjustment, if fitted.
6. Before using the gun, practice getting the feel of the trigger with the chosen settings.

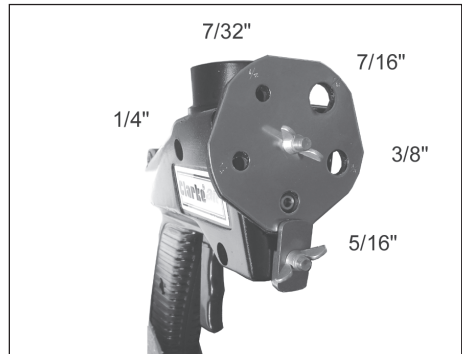
The trigger stop can be used in order to select the same setting for repeat operations. Wait until the trigger is in the desired position before tightening the wingnut (8) to limit trigger movement.

SPRAYING DIFFERENT MATERIALS

The paint flow from the gun is adjustable. This is achieved by turning the orifice plate to a different setting and replacing the nozzle with one of a different size as above. If a pressure regulator is used this can also be adjusted to increase or reduce airflow, according to the material being sprayed.

The following starting points are suggested. However, adjustment is partly trial and error, depending on the viscosity of the material and coverage required. Always take care that the paint material is free of lumps. Follow the manufacturers instructions when mixing materials.

- a When spraying acoustic panels, set the orifice plate to the third smallest size ($5/16$ ") opening.
- b When spraying sand finish with dry-walling material, set the orifice plate to the smallest size ($7/32$ ") opening.
- c When spraying orange peel texture, set the orifice plate to the third smallest size ($7/32$ ") opening. Set the stop lock on the gun, so that the spraying nozzle is approx $1/16$ " from the orifice plate. This will reduce the amount of material flowing from the gun, causing it to leave an orange peel texture.



- d When spraying a splatter texture, use the air regulator to deliver approx 4-6psi. Set the orifice plate to the third ($5/16$ ") or fourth smallest size ($1/4$ ") opening.

- e The air texture gun can also spray glitter if the material and gun are both kept dry. Approx 15 psi is recommended to apply glitter to panelling and 25-30 psi to cement and stucco surfaces. The glitter should be sprayed on while the underlying material is still tacky enough to receive it and to form an effective bond.

MAINTENANCE



WARNING: DISCONNECT THE SPRAY GUN FROM THE AIR SUPPLY, AND RELIEVE ANY PRESSURE IN THE GUN AND HOSE, BEFORE ANY DISASSEMBLY.

After use, always clean the gun and hopper with clean water ready for next use. It is essential that the spray gun is kept clean. Dried paint in the nozzle assembly or airways will stop the gun from working correctly.

For the gun to perform at it's best the moving parts should be lubricated regularly using a light machine oil. Use a couple of drops of oil inside the air inlet (35) to lubricate the inlet tube (30) and repeat this through the trigger stop slot and with the gun upside down, pull back the trigger and apply oil to the inlet tube.

Remove all excess oil with a clean cloth.

When re-assembling the gun after cleaning, adjust the trigger on the inlet tube, so that the nozzle protrudes 1/6" past the nose piece when the trigger is in the fully forward position, or it will not seat properly. (The small hexagonal wrench is provided for this purpose). Check that the front of the orifice plate bears against the front of the gun to avoid any leaks at this point.

If leaks are observed around the gun body, replace the gaskets shown on pages 10 & 11. If this is not successful, use sealant between the two halves of the gun body to prevent leakage.

CAUTION: never use silicon based lubricants as this may cause damage to the paint finish.

Do not overtighten components, and be careful not to cross thread any parts on re-assembly.



Please be aware that certain parts of this spray gun will wear, requiring replacement and that these parts may not be covered by your guarantee. The wear on certain parts depends on the abrasive nature of the materials being sprayed. More abrasive materials such as latex paint (emulsions) will cause these parts to wear much faster.

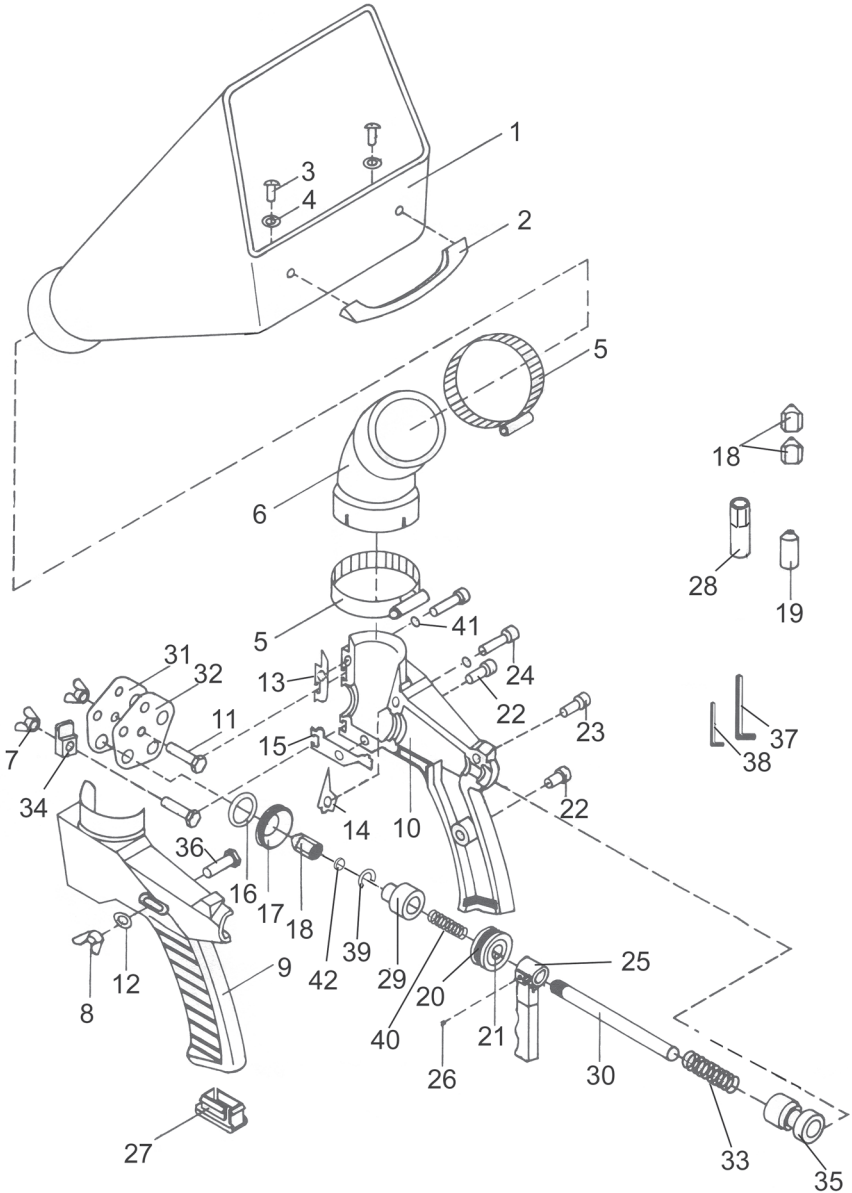
Use only Clarke replacement parts, available from your nearest Clarke International dealer.

PARTS LIST

No	Description	No	Description
1	Hopper	21	Air Inlet Support Bush
2	Handle	22	Socket head screw (12 mm)
3	Screw	23	Socket head screw (15 mm)
4	Washer	24	Socket head screw (25 mm)
5	Jubilee Clip	25	Throttle Lever
6	45 deg Elbow	26	2.5mm Set Screw
7	Retaining Wingnut	27	Retaining Cap
8	Adjusting Wingnut	28	Box Spanner
9	Gun Body (left)	29	Rubber Bonnet
10	Gun Body (right)	30	Inlet Tube
11	Bolt	31	Front Orifice Plate
12	Washer	32	Adhesive Rubber Backing
13	Gasket (a)	33	Coil Spring (38mm)
14	Gasket (b)	34	Securing Block
15	Gasket (c)	35	Air Inlet
16	O-Ring	36	Hexagon Bolt
17	Outer Ring	37	Hexagonal Wrench (2.5mm)
18a	Nozzle (2.7 mm)	38	Hexagonal Wrench (4mm)
18b	Nozzle (1.5 mm)	39	Circlip (7mm i/d)
18c	Nozzle (3.5 mm)	40	Coil Spring (18mm)
19	Nozzle (3.6 mm Jumbo size)	41	Washer
20	O-Ring	42	White Rubber Seal Ring

IMPORTANT: The use of parts other than genuine CLARKE replacement parts may result in safety hazards, decreased performance, and will invalidate your warranty.

PARTS DIAGRAM



A SELECTION FROM THE VAST RANGE OF

Clarke®

QUALITY PRODUCTS

AIR COMPRESSORS

From DIY to industrial, Plus air tools, spray guns and accessories.

GENERATORS

Prime duty or emergency standby for business, home and leisure.

POWER WASHERS

Hot and cold, electric and engine driven - we have what you need

WELDERS

Mig, Arc, Tig and Spot. From DIY to auto/industrial.

METALWORKING

Drills, grinders and saws for DIY and professional use.

WOODWORKING

Saws, sanders, lathes, mortisers and dust extraction.

HYDRAULICS

Cranes, body repair kits, transmission jacks for all types of workshop use.

WATER PUMPS

Submersible, electric and engine driven for DIY, agriculture and industry.

POWER TOOLS

Angle grinders, cordless drill sets, saws and sanders.

STARTERS/CHARGERS

All sizes for car and commercial use.



PARTS & SERVICE: 0208 988 7400

E-mail: Parts@clarkeinternational.com or Service@clarkeinternational.com

SALES: UK 01992 565333 or Export 00 44 (0)1992 565335

Clarke INTERNATIONAL Hemnall Street, Epping, Essex CM16 4LG
www.clarkeinternational.com